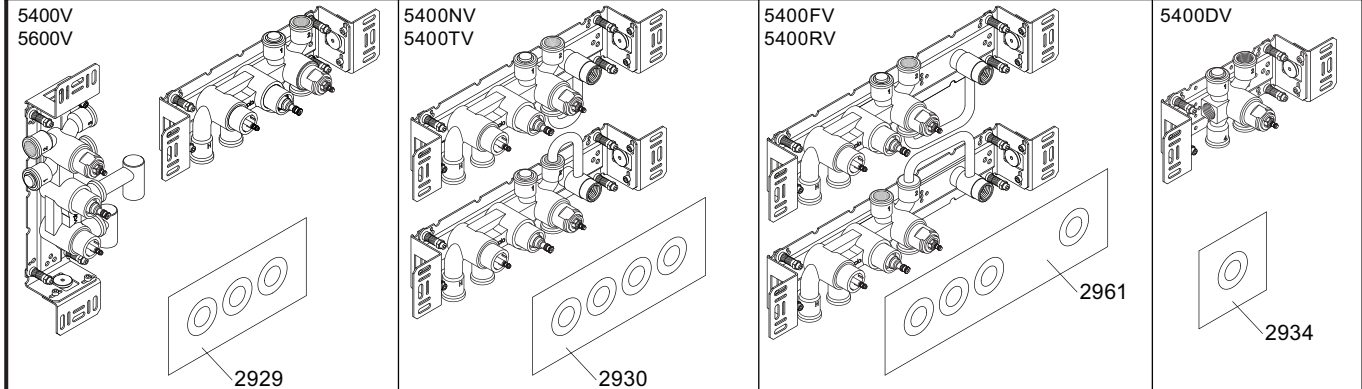


5250+	5410+	5268+	1902	2A* Color
VR5251, VR2279+B+C, VR2A	VR2A, VR5252, VR5253, VR5255, VR5256, VR2279+B+C, VR3113, VR2A	VR2A, VR5252, VR5253, VR5255, VR5256, VR2279+B+C, VR3113, VR2A	VR2A, VR5252, VR5253, VR5255, VR5256, VR2279+B+C, VR3113, VR2A	VR2A-Steel: Standard VR2A-F60: F17-F27-F60 VR2A-F63: F63-F64 VR2A-F65: F19-F65-F70
5248+	5249+	5258+	5260+	5248+
5257+	5259+	5257+	5259+	5258+
5259+	5257+	5259+	5257+	5258+



5003B	5004B	5004L	2001
3x2001	3x2001, 001	3x2001, 001	2001

<p>vola Lunavej 2 DK-8700 Horsens Tlf : + 45 7023 5500 sales@vola.com www.vola.com</p>	<h1>VOLA 5400V</h1> <p>5400FV, 5400NV 5400RV, 5400TV 5600V</p>	Date May 22
		Rev. 5
		Sheet SB 10.54