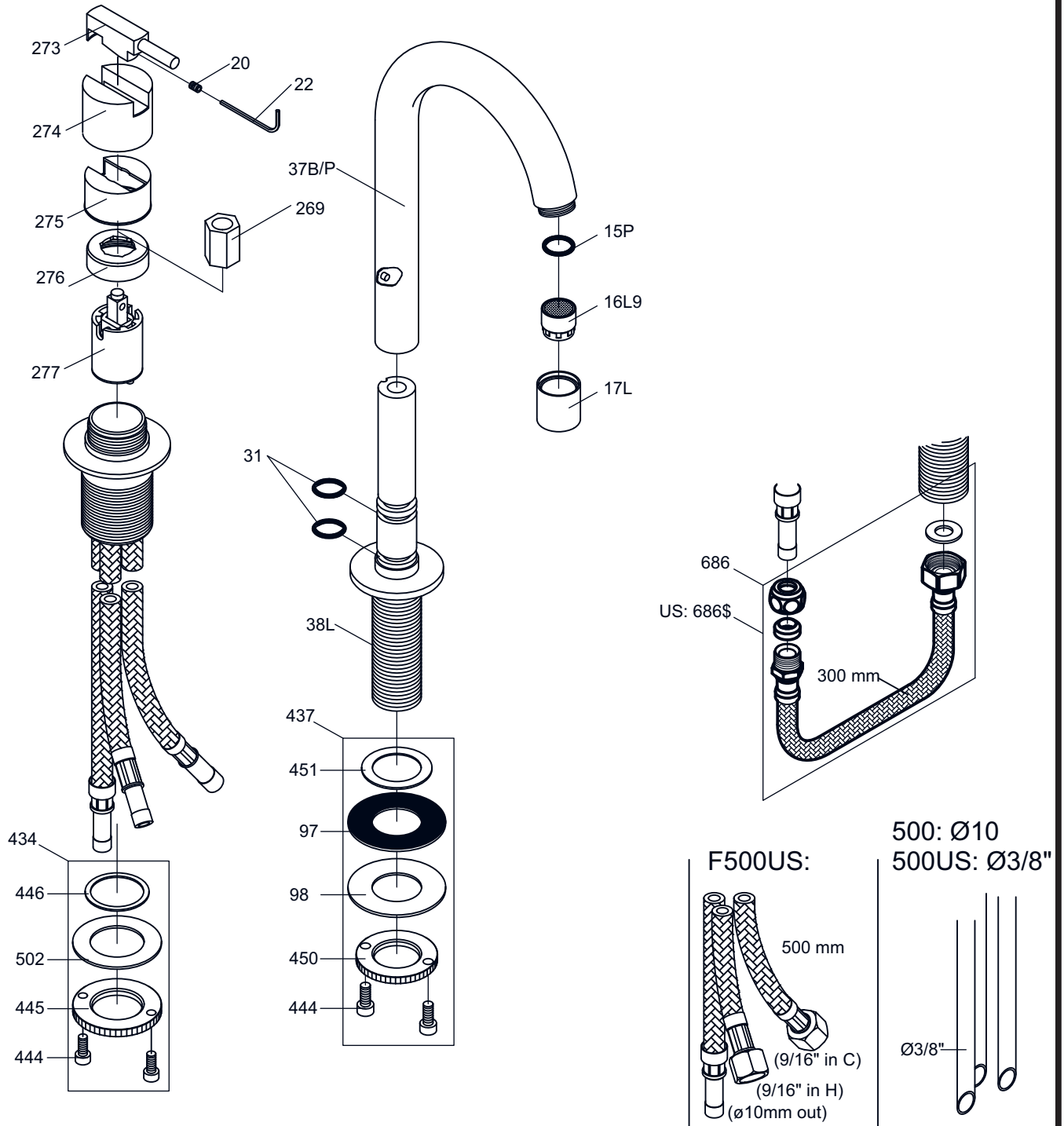
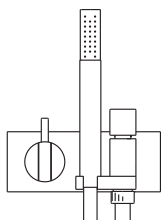


F500:



- VR090: VR15P, VR17L, VR16L9
- VR277K: VR22, VR269, VR277
- NR.10: VR20, VR22, VR273, VR274, VR275
- VR434: 2xVR444, VR445, VR446, VR502
- VR437: VR97, VR98, 2xVR444, VR450, VR451



VOLA A/S
 Lunavej 2
 DK-8700 Horsens
 Tlf : + 45 7023 5500
 Fax: + 45 7023 5511
 sales@vola.com
 www.vola.com

VOLA 590B

Dato

Sep 09

Rev.

2

Blad

SB27.74